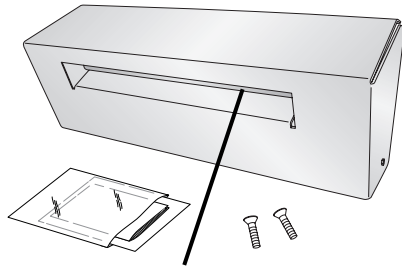


1 Unpacking Your Media Cutter

Thank you for purchasing the LX400 Media Cutter. The following items are included in the packaging.

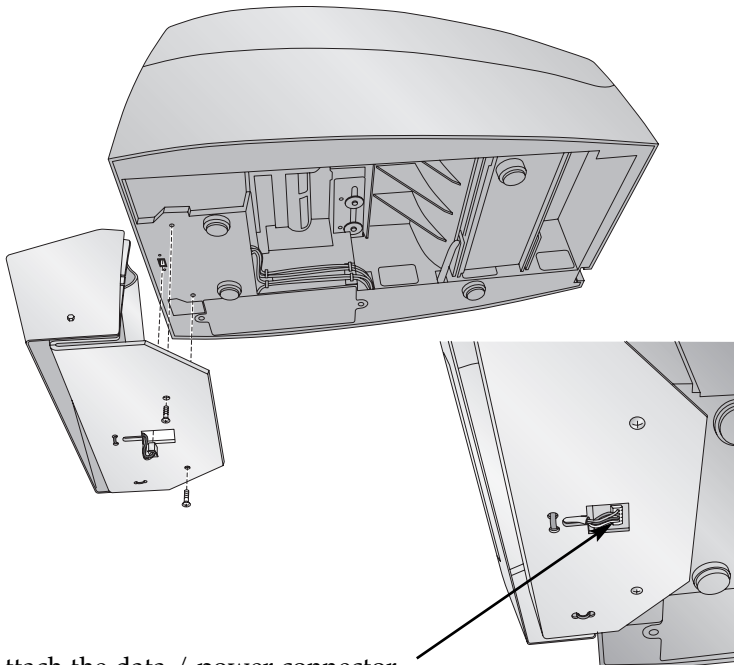
- LX400 Media Cutter
- 2 Phillips screws
- This manual and other printed information.



WARNING: Hazardous Moving Parts. When handling cutter, keep fingers and other body parts away from the feed slot.

2 Connect the Cutter to the Printer

Turn your LX400 printers on its side to expose the screw holes near the front of the bottom. Attach the cutter as shown with the screws provided. Before attaching the cutter, make sure the data connector cable is routed through the connector plate as shown in the diagram.

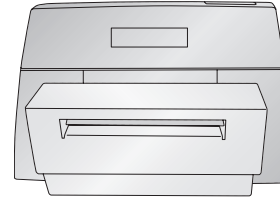


Attach the data / power connector.

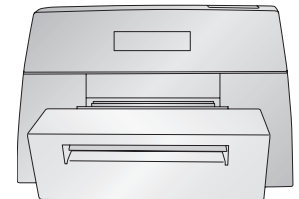
3 Using the Cutter

1. Pull the cutter into the up position.
2. Set the **Output Mode** in the printer preferences to "Cut". To find the printer preferences refer to the PC and Mac instructions in the next section.

To discontinue use while still keeping the cutter connected push the cutter to the down position. The media will now feed over the cutter.



Up Position



Down Position

Note: Place the printer in an elevated position to prevent cut labels from building up in the output area and causing interference.

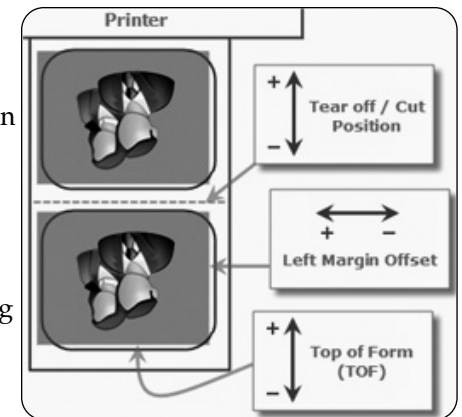
4 Adjusting the Cut Position

To adjust the cut position on a PC:

Go to the Start Menu - Control Panel - Printers and Faxes. Right Click on the **Color Label 400 - Choose Printing Preferences**. Click on **Offsets**. Click **Properties**. The following window will appear. Adjust the cutter position using the graphic as a guide.

To adjust the cut position on a Mac:

Go to the Hard Drive - Applications - Utilities - Open the Printer Setup Utility. Select the Color Label 400 - Click **Configure**. The Configuration utility will open. Click the **Label Offsets** button. The following window will appear. Adjust the cutter position using the graphic as a guide.



Important Note: If you are using the cutter with adhesive label stock, the blade is intended to cut through the label liner only. While it will cut through label and the liner, continued use in this manner will cause premature wear on the cutter blade and excessive adhesive build up.

LX400 Media Cutter Accessory

For use with Color Label Printer 400



Quick Start