

# primera trio® | Battery Installation and Use

The optional Lithium-Ion battery can be installed to print or scan without the AC power adapter connected. Once installed the battery is automatically used any time the AC power cable is disconnected.

## Charging the Battery

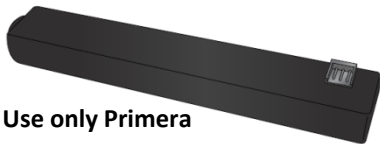
The battery automatically charges any time the printer is connected to AC power or connected to a powered USB cable.

Charge Time AC Power = 1 hour 45 minutes

Charge Time USB (Printer Off) = 10 hours 30 minutes

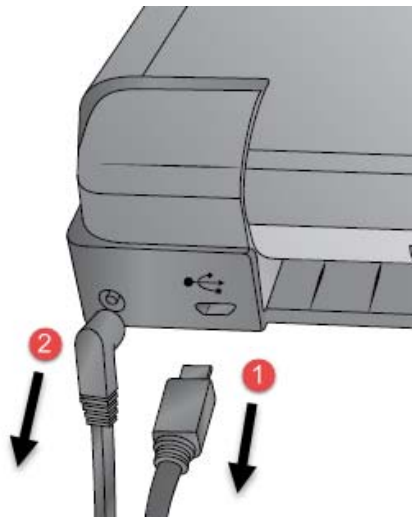
## Installation Instructions

1. Find the battery:

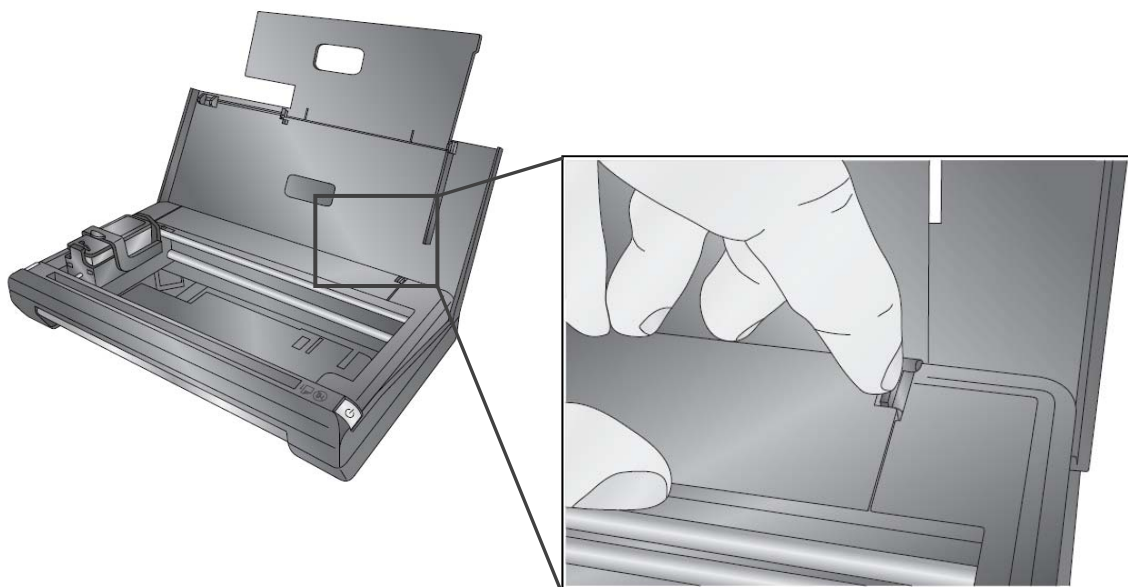


Use only Primera  
Battery Part #31033

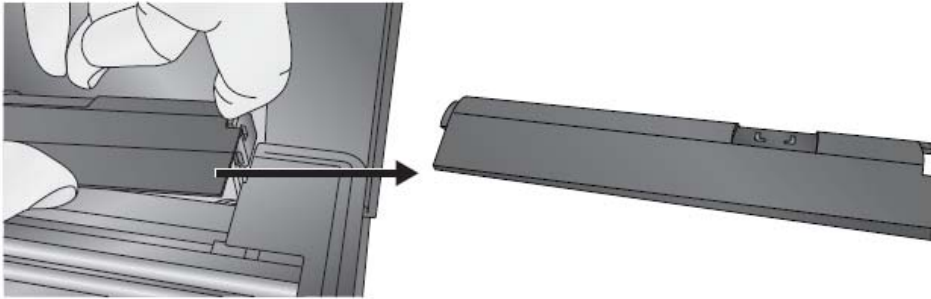
2. Disconnect AC power and USB.



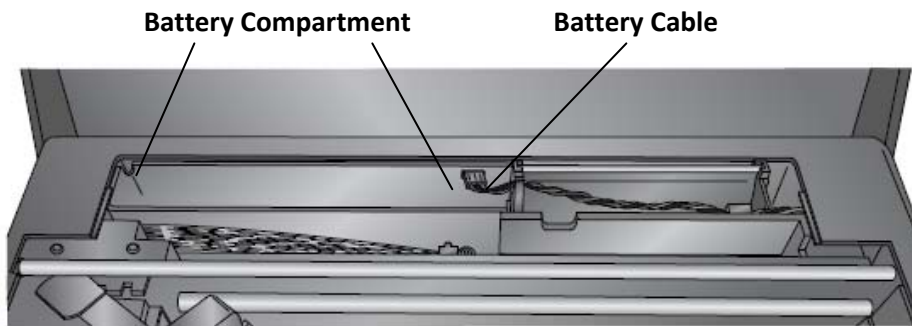
3. Locate the Battery Cover release latch on the right side near the paper in feed area.



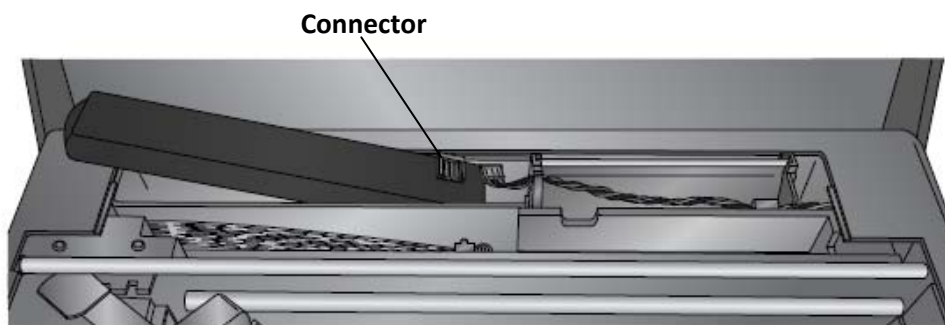
4. Pinch and pull the release latch and pull up on the cover.



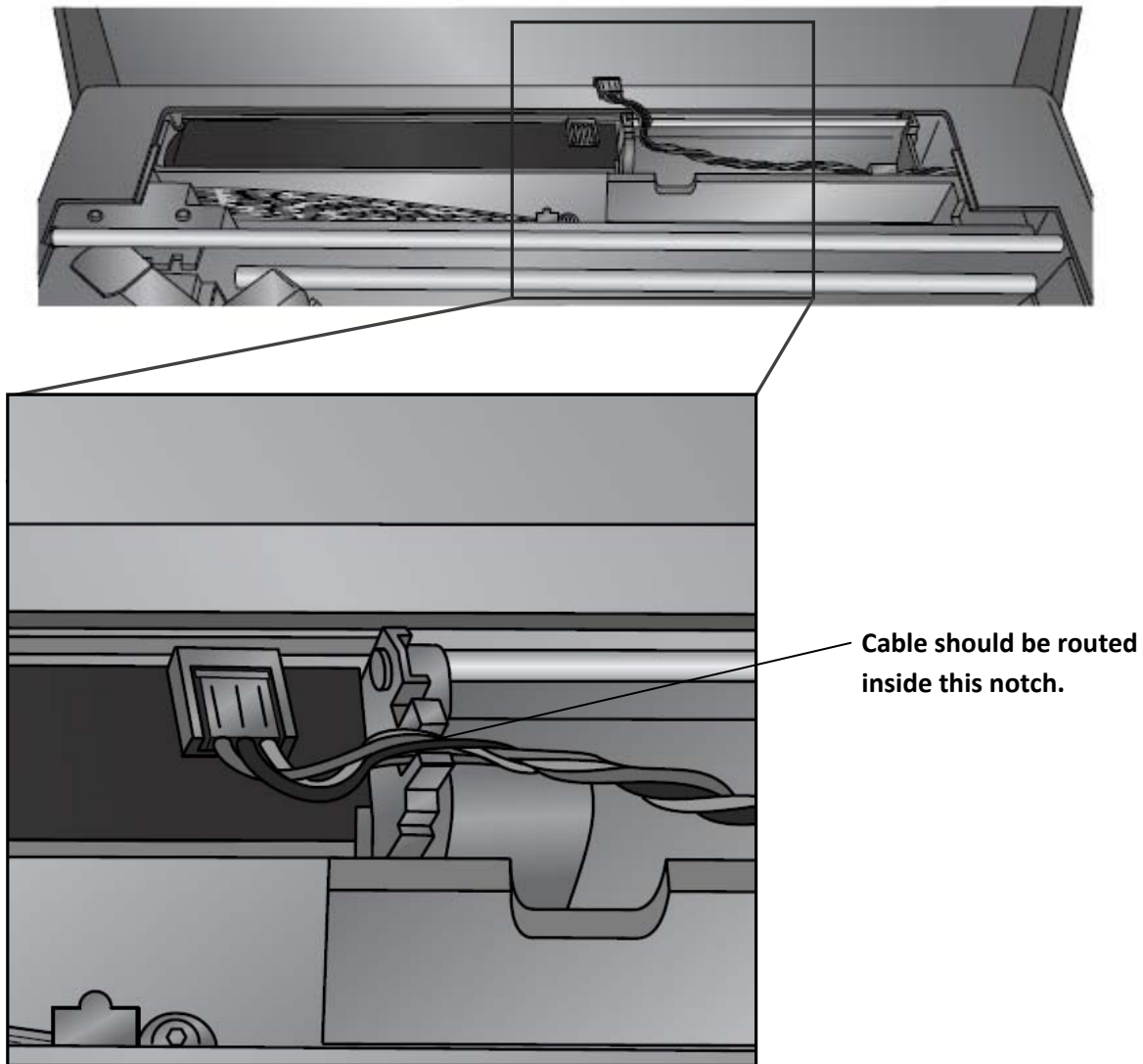
5. Locate the battery compartment and the battery cable.



6. Insert the battery into the compartment as shown with connector facing up and to the right.



7. Connect the Battery Cable to the Connector. Make sure the cable is routed inside the correct notch.



**Important Notes:**

1. The battery will be partially charged when you receive it. It is recommended that you charge the battery using the AC adapter for 1 hour and 45 minutes or with the USB cable for 10 hours before using it the first time.
2. The battery is protected against overcharging so you can leave power or USB connected even after it is fully charged.
3. When the battery is installed, if both USB cable and AC Power are disconnected the printer will automatically shut off completely to conserve battery power.

4. The Primera Trio will automatically power off or go to sleep according to the following:

**When using Battery only:**

When plugged into a USB cable, after 30 minutes of no activity the Primera Trio will do the following:

a. If battery percentage remaining is greater than 50%, the printer goes into Sleep Mode (only the LED shuts off). While in this mode the battery is slowly charging as long as the USB is still connected. If a print is sent to the printer, it will wake up and start printing.

b. If battery percentage remaining is less than 50%, the printer shuts down completely. This is to prevent completely draining your battery.

**When using AC power:**

When plugged into the power adapter, the Primera Trio goes into sleep mode after 30 minutes of no activity but never shuts down completely. The battery will charge in this state very quickly if it is installed and the USB is connected.

**Battery Warnings:**

1. The Primera Trio lithium-ion battery cannot be transported in checked baggage on commercial airline flights. The battery must be carried with you into the airplane cabin. In the cabin, the flight crew can better monitor conditions, and have access to the batteries or device if a problem does occur.
2. If you would like to store the printer in your checked baggage, you may remove the battery from the printer before it is placed in your checked baggage. Take the battery with you onto the airplane. The battery contains all the necessary information and markings that airport/airline personnel may require.
3. Use only the battery designed specifically for the Primera Trio.
4. When discarding a battery, contact your local waste disposal provider regarding local restrictions on the disposal or recycling of batteries. Though the lithium-ion rechargeable battery is mercury-free, it might require recycling or proper disposal at end-of-life.
5. The battery might explode if incorrectly replaced or disposed of in fire.
6. Do not short-circuit the battery.
7. To avoid risk of fire, burns, or damage to the battery, do not allow a metal object to touch the battery contacts.
8. Do not disassemble the battery. The battery has no serviceable parts inside.
9. Handle a damaged or leaking battery with extreme care. If you come in contact with the electrolyte, wash the exposed area with soap and water. If it contacts the eye, flush the eye with water for 15 minutes and seek medical attention.