

Thank you for purchasing the Kiosk Kit for the XR Series Publisher. (Referred to hereafter as the "Publisher"). This will enable your Publisher to use both the right and left bins as input, doubling the capacity of your Publisher. This sheet describes the installation and use of the Kiosk Kit.

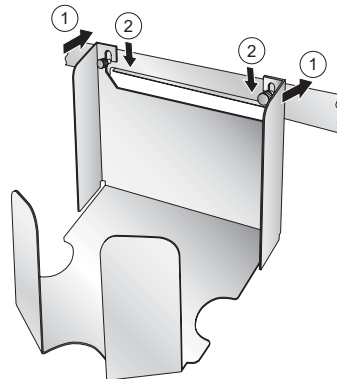
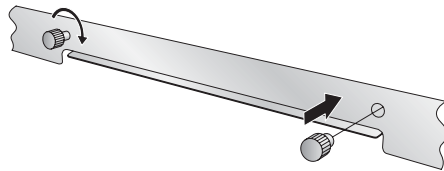
SECTION I: SETUP

1. Check to make sure the following items are enclosed:
 - Two Black Thumb Screws
 - Kiosk Bin
 - Operators Manual and other information

2. Attaching the Kiosk Bin
 - Turn the thumb screws into the threaded holes on the front of the Publisher.

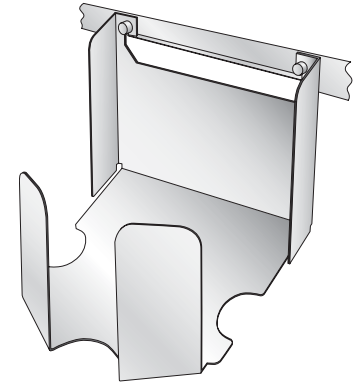
Note: You may need to remove the black rubber plugs from the threaded holes before inserting the thumb screws.

Once the Thumb screws are in place, fit the metal hooks on the inside of the Kiosk Bin over the thumb screws.



- Pull down on the Kiosk Bin until the the hooks are resting on the thumb screws. You should be able to remove the bin without loosening the thumb screws.

Note: When installed correctly, you should be able to open the front cover with out interference from the Kiosk Bin.



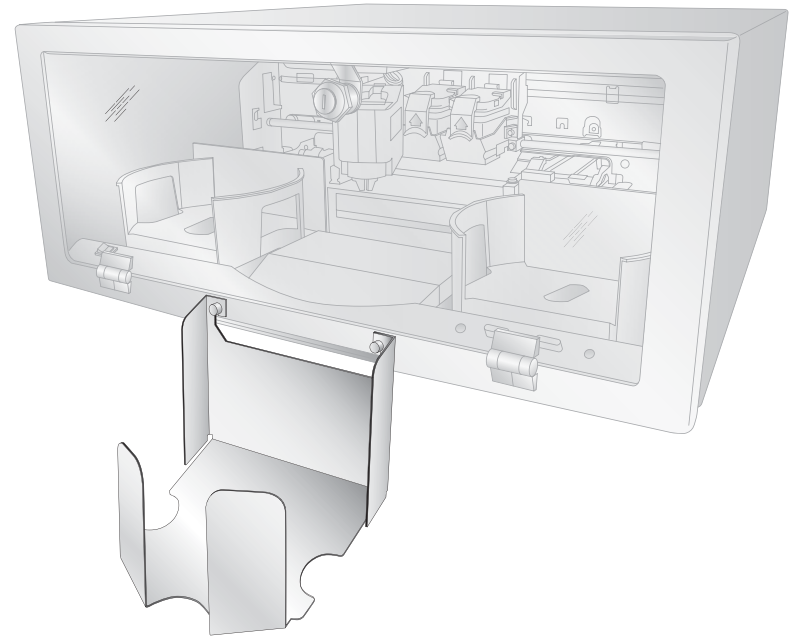
SECTION II: ENABLING KIOSK MODE

To enable Kiosk mode refer to the following sections in the manual:

- Section 3E for PC
- Section 4 for the MAC

Kiosk Kit

For use with XR Series Publisher



Installation Instructions

PRIMERA

© 2006 All rights reserved