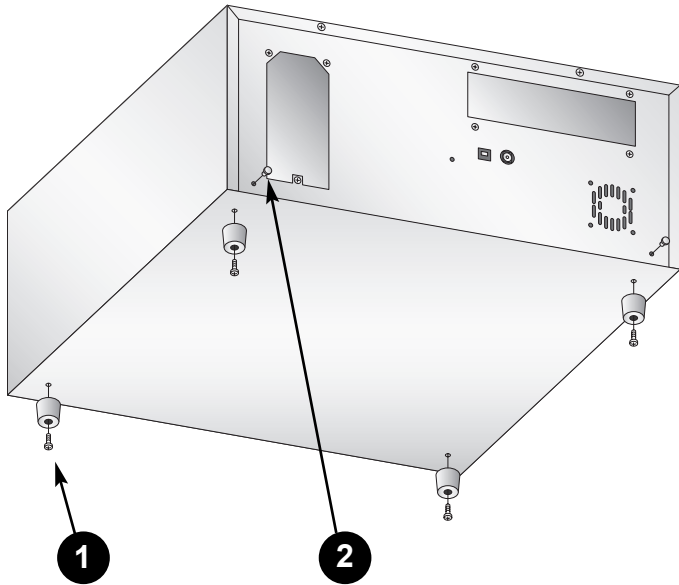


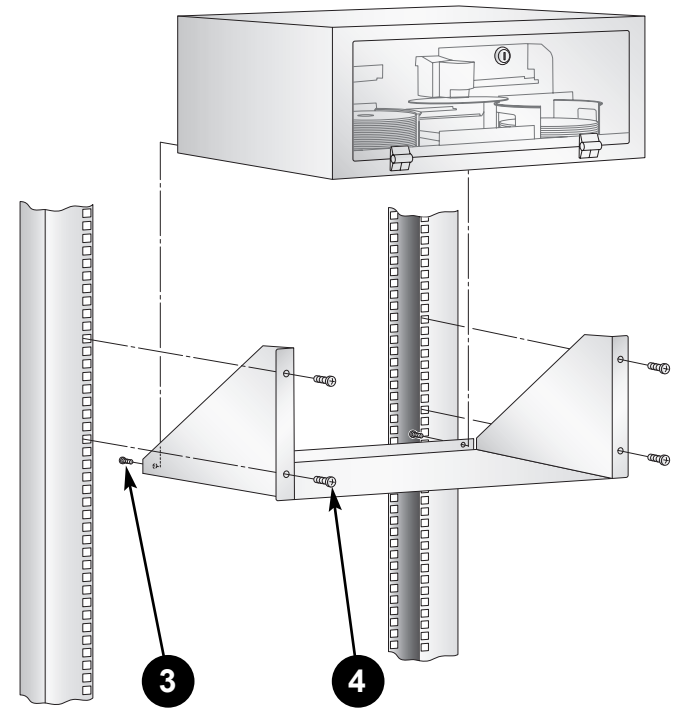
Thank you for purchasing the Rackmount Kit for the XR Series Publisher or OptiVault. Here after the XR Series Publisher and OptiVault will collectively be referred to as the "unit".

### Installation Instructions:

1. Remove four rubber feet from the bottom of the unit.
2. Remove plugs from two screw holes on the back of the unit.



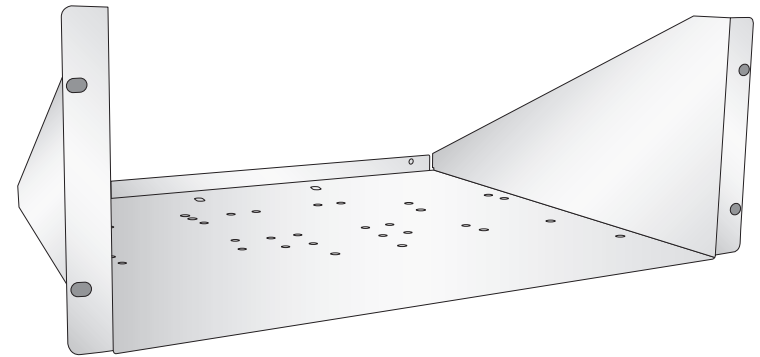
3. Place unit in Rackmount Bracket and secure to the back of unit using provided Phillips screws.



4. Secure Rackmount Bracket and unit to Rack using 4 screws provided with the Rack.

# Rackmount Kit

For use with XR Series Publisher and OptiVault



## Installation Instructions

**PRIMERA**

© 2006 All rights reserved