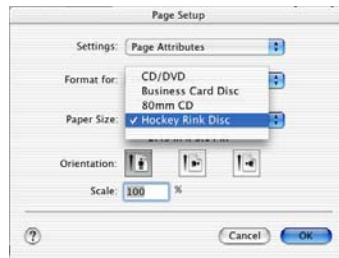


- 80mm Discs can be produced in the same manner as standard 120mm discs. **When printing Hockey Rink or Business Card discs on the PC, it is necessary to record and print the cards in two separate steps.** To record, first load the input bin with blank CD-R Business Cards. Next, create your recording job as described in the User's Manual making sure to leave the print step blank in PTPublisher. **On the Mac**, you have the option in Discscribe to print before recording, which will allow you to make the cards unattended.
- Once your Business Cards have finished recording, reload them in the input bin for printing. When printing one of the three sizes supported by this adapter kit, you will need to select the proper card size in the driver as shown below. Simply print the number of desired copies. When printing only from SureThing or any application the unit will automatically load and unload the discs.



Page Size Settings  
for PC



Page Size Settings  
for Mac

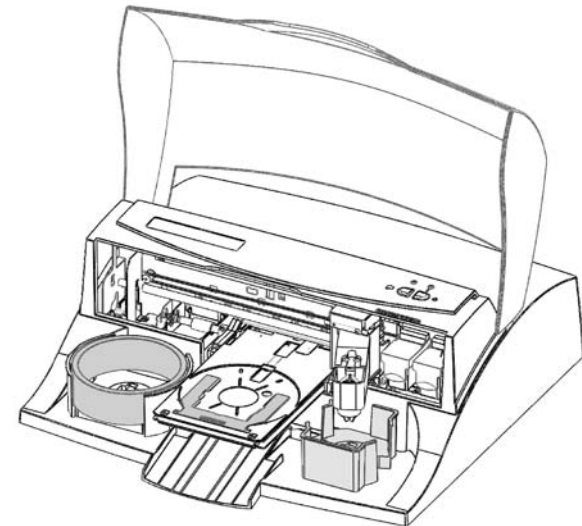
#### Supported Sizes:

- Mini-disc CDs - 80mm (201 MB)
- Business Card CDs - 59mm x 85mm (32 MB)
- Hockey-Rink CDs - 63mm x 80mm (49 MB)

## Operator Instructions:

### Business Card Adapter Kit

For Use with Disc Publisher II, Disc Publisher XR or  
AutoPrinter II



**PRIMERA**  
TECHNOLOGY, INC.

Two Carlson Parkway North • Plymouth, MN 55447-4446 • U.S.A.  
Phone: 1-800-797-2772 • 763-475-6676 • FAX: 763-475-6677  
Web: [www.primeratechnology.com](http://www.primeratechnology.com)

This manual describes the installation and use of the CD-R Business Card Adapter Kit for the Disc Publisher II, XR and AutoPrinter II (referred to hereafter as the "Unit").

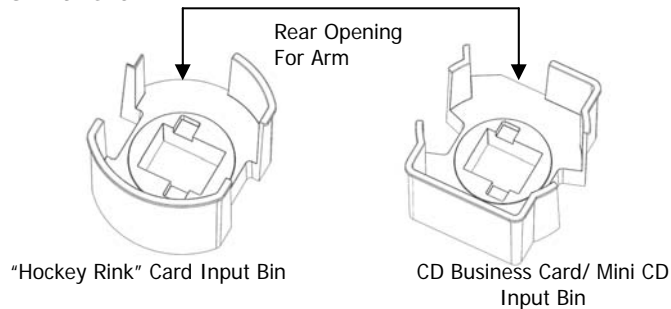
**NOTE:** The Business Card Adapter Kit is designed to work with the above units only. If you have the Disc Publisher Pro, please use the Pro kit.

## SECTION I: INSTALLATION

1. Make sure that you have the following items in this box:

- CD Business Card/ Mini CD 80mm Input Bin
- "Hockey Rink" Card Input Bin
- Output Ring
- CD Business Card Tray Template Assembly
- Mini Disc 80mm and "Hockey Rink" Tray Template Assembly
- 9 Sample Discs
- Drive Templates for use with DVD units with serial numbers greater than 2060600000, when burning hockey rink or business card discs.

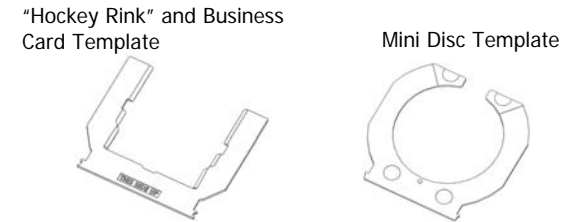
2. Remove original 120mm Input Bin and place the appropriate Card/ Mini Disc Input Bin on the right side of the unit with the opening in the bin to the rear. ***If the opening in the bin is not toward the rear, the Robotic Disc Transporter will not be able to pick from the bin.***



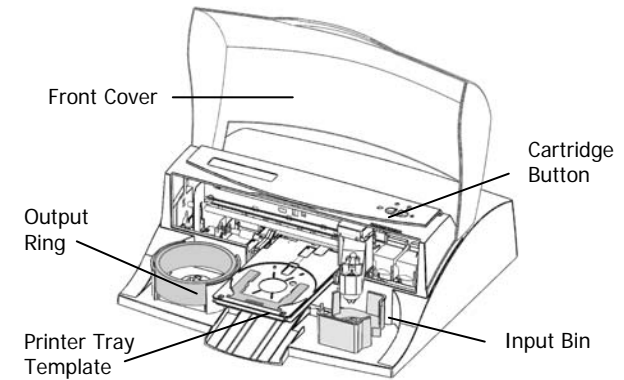
**Figure 1: Input Bins**

3. Place **Output Ring** in the center of the Output Bin on the left side of the unit as shown in **Figure 3**.

4. With the **Front Cover** of the unit closed, press the **Cartridge Button**. The **Printer Tray** will open. Open the **Front Cover** and install the appropriate **Printer Tray Template** in the **Printer Tray** as shown in **Figure 3**. The front of the Template has molded tabs that fit into locating slots found toward the front of the **Printer Tray**. When properly installed, the metal clamp moves forward to hold the card in place as the **Printer Tray** retracts into the printer.



**Figure 2: Printer Tray Templates**



**Figure 3: Adapter Kit**

5. Press the eject button to open the DVD drive. Place the Business Card or Hockey Rink template into the tray. The templates are labeled "Hockey Rink" or "Business Card". For best results, it may be necessary to remove the strips of tape that are affixed to the bottom of the drive tray.

**Important Note:** Step 5 is only necessary if you have a DVD unit with a serial number greater than 2060600000 and you are burning Hockey Rink or Business Card discs. 80 mm discs do not require this step.