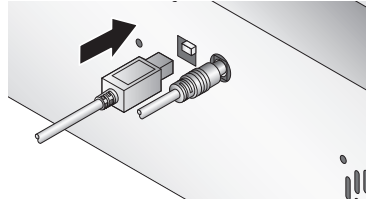


7 Connecting the USB 2.0 Cable

Connect the Publisher to your computer with the beige USB 2.0 Cable.



If you are using Windows

If you are using Windows, after a few moments a found new hardware wizard will appear.

Select "Install the software automatically" and click **Next**. Make sure that you have your installation disc in a drive on your computer.



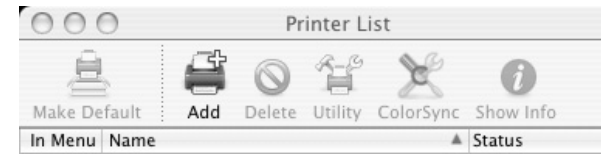
You may see a notice like the one shown below stating that the device has not passed Windows Logo Testing. Click **Continue Anyway** to continue installing the printer driver for your Publisher.



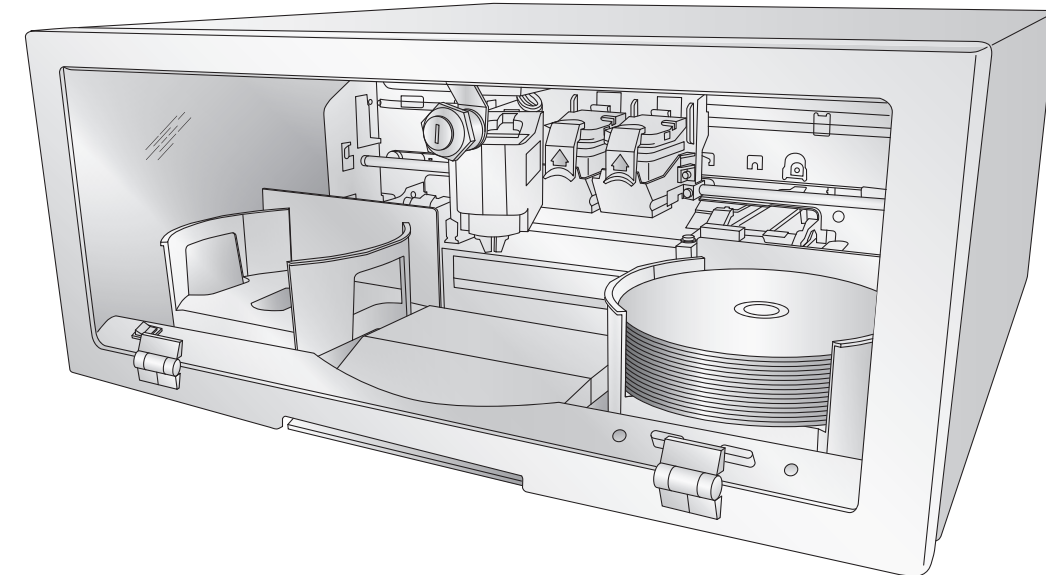
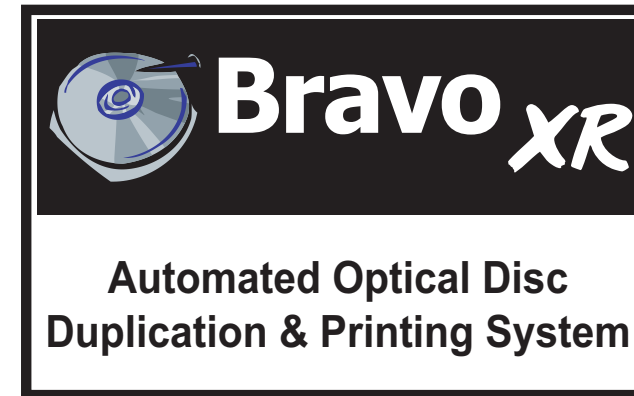
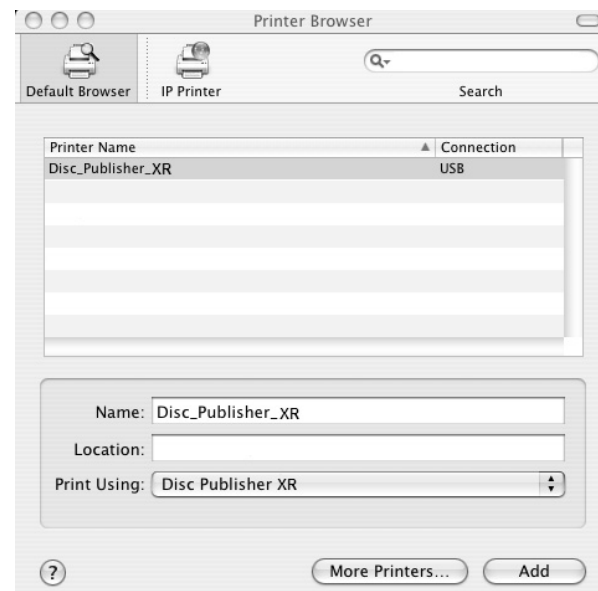
If you are using a MAC

If you are using a MAC you may be required to Add the printer via the Printer Setup Utility.

1. Open the Printer Setup Utility located in the Applications - Utilities folder.



2. Click **Add**. Select the Disc Publisher XR from the list of available printers. Click **Add** again.



8 Publishing a Disc

Congratulations, you are now ready to start Publishing discs!

- For Instructions on copying a disc using a PC refer to section 3 in the User's Manual.
- For Instructions on copying a disc using a Macintosh refer to section 4 in the User's Manual.
- For help with problems publishing discs using a PC or Macintosh please visit Primera's online Knowledgebase at www.primera.com/knowledgebase.html

PRIMERA

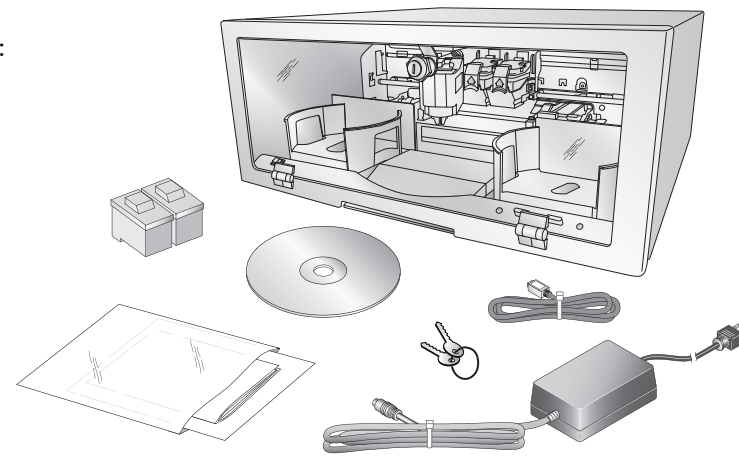
© 2005 All rights reserved.

1 Unpack Your Bravo

The following items are contained inside the box:

- Bravo Disc Publisher XR
- Gray Plastic Input and Output Bins (Located in the Cardboard Insert)
- Switching Power Supply with Power Cord
- One Three-Color (CMY) Ink Cartridge
- One Monochrome Black Ink Cartridge
- QuickStart Installer Disc
- USB 2 Interface Cable
- Keys
- Warranty Card
- This Operator's Manual, Quick Start Guide and Other Printed Information

Save the carton and packing materials. They will come in handy later if you ever need to transport the Publisher and/or any of its parts and accessories.

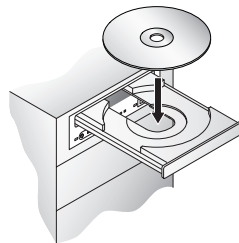


TIP! Save the box and packing materials so that you can easily transport the unit if necessary.

2 Installing the PC Software

The Installer Disc will guide you through the process of setting up your Bravo. Please refer to the following for more information on each step:

1. Place the Bravo Installer CD in your CD-Rom Drive. The Installer application should automatically launch in a few moments. If it does, proceed to Step 2. If it does not automatically launch, follow these steps:
 - Double-click the **My Computer** Icon, then double-click the icon of the appropriate CD drive containing the Software Installer disc
 - Double-click **Installer.exe**
2. In the Installer Application, click the **Standard Install** button. The Standard Install will guide you step-by-step through the installation process. As you complete each step, click **Next**. Steps 4-7 are shown below as well as on the monitor. You may follow either to complete the setup.



3 Installing the MAC Software

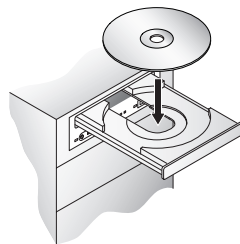
Before installing the Mac software please note that all software must be installed on a hard disk. Once you have installed the software, store the original program CD-ROM in a safe place.

Please note that your user account must have administrative rights to properly install a new printer. You can check with your system administrator or check with Apple support to confirm whether or not your account has administrative rights.

Install the software as follows:

- a. Insert the Bravo Installation CD-ROM in your system's CD-ROM drive.
- b. Double-click the CD-ROM icon.
- c. Double-click on the **Installer.mpkg** file icon. Follow the on-screen instructions.
- d. The volume containing the operating system should be selected for installation. Click the **Continue** button. All components will be installed to their proper locations.
- e. Once the installation has completed, click **Quit**.

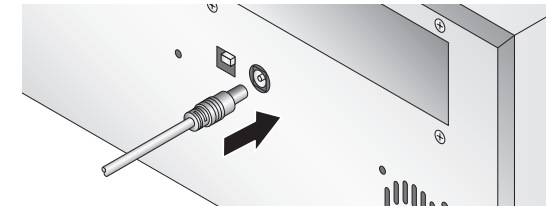
You have successfully installed all the necessary software! Steps 4-7 will describe how to connect the Bravo to your Mac.



4 Applying Power

Be sure you have removed the packing tape and cardboard insert prior to applying power.

- Locate the power adapter supplied with your Bravo.
- Place one end of the adapter cord into the power port on the rear panel of the Bravo and the other end into a power outlet.



- Unit will initialize for approximately 30 seconds.

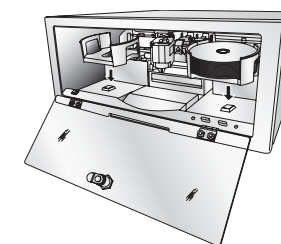
5 Loading Media (Discs)

Note on Media: Your Bravo can print directly onto virtually any brand of printable-surface CD/DVD media. However, different brands of discs have different printable coatings. Because of this, you may need to adjust the printer driver settings to accommodate your specific brand of CD/DVD media. Refer to Section 3A or 4E for further printer driver information.

Due to the wide variety of printable-surface CD/DVD media, you may find that certain brands of discs provide higher print quality than others. For maximum print quality, use CD/DVD media authorized by Primera.

Refer to the following steps when loading discs in to the Bravo:

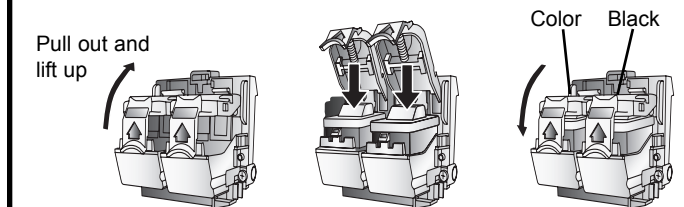
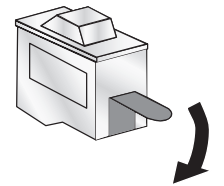
- Open the front cover of the Bravo
- The Bravo will automatically position the cartridge carrier and Robotic Disc Transporter to the center position allowing for easy access to the bins.
- Load the Input Bin (the bin located on the right-hand side of the Bravo) with 25 blank discs and place the bins on the mounting pegs.



Note: Bins are located inside the Cardboard Insert!

6 Installing Ink Cartridges

- Press the Ink Cartridge (left) Button to move the Ink Cartridge Carrier to the load position and open the ink cartridge covers
- Remove each ink cartridge from its packaging
- Slowly remove the tape covering the cartridge's print head, being careful to avoid damaging the barcode label on the underside of the cartridge. **DO NOT TOUCH THE COPPER AREA!**
- Insert the ink cartridges into the carrier, copper end first and snap the cartridge cover in place. Insert the color in the left holder, monochrome black in the right cartridge holder.



- Close and lock the Publisher's front cover.

Note: The Publisher will not function unless the front cover is closed and locked!