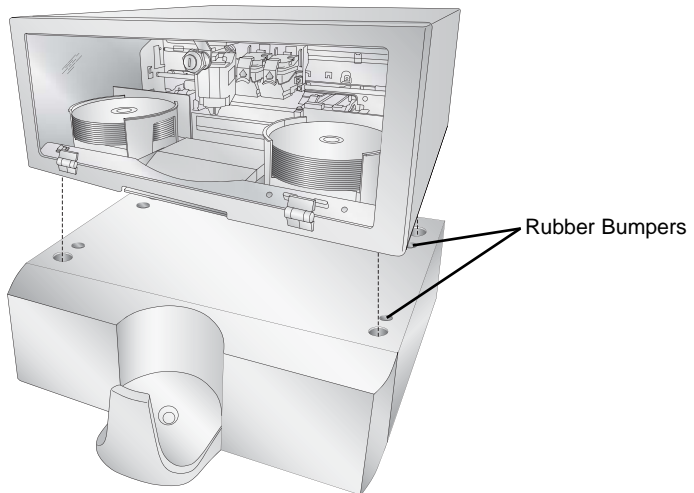


Thank you for purchasing the Disc Publisher XR/XRP Kiosk Stand . This stand may be used with the Disc Publisher XR or Disc Publisher XRP only. Follow the instructions below to setup your kiosk stand.

1. Set the stand on a smooth flat surface. The dimensions of the stand are listed below:
 - Back of stand to front of bezel - 18.125" (46.038 cm)
 - Back of stand to front of kiosk bin - 21.375" (54.3 cm)
 - Height - 6" (15.25 cm)
 - Height with XR - 13.0625" (33.18 cm)
 - Height with XRP - 16.5" (41.91 cm)
 - Width - 17" (43.18 cm)
2. Disconnect all cables from the XR or XRP.
3. Place the XR or XRP on top of the stand so that the feet on the XR/XRP fit inside the corresponding holes in the stand.

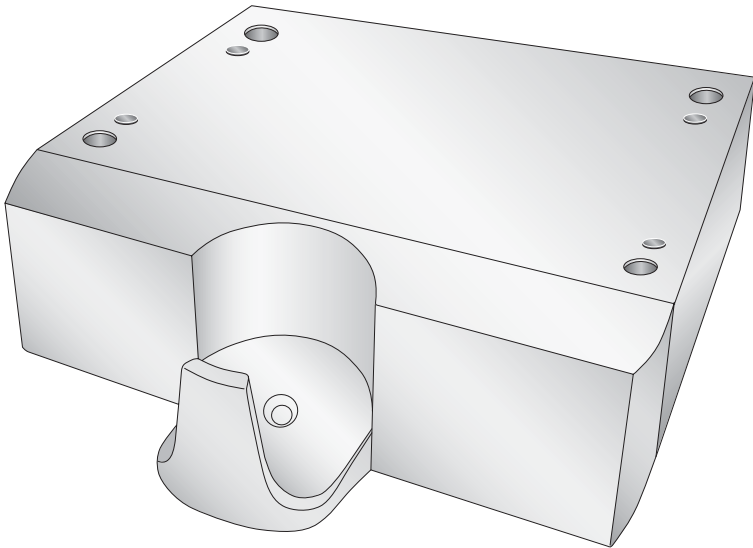


4. The rubber bumpers on the top the stand should elevate the XR/XRP slightly above the stand so that there is no metal to metal contact.

Note: Since there are no screws holding the XR/XRP on the stand please separate the stand from the XR/XRP when transporting.

Kiosk Stand

Disc Publisher XR/XRP Kiosk Stand



Installation Instructions

PRIMERA

© 2007 All rights reserved