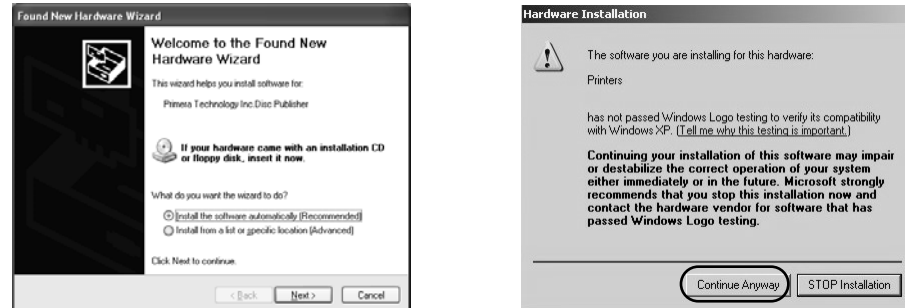
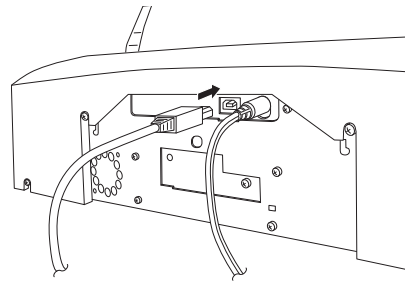


## 6b Installing the Printer Driver (Windows XP)

Connect the Publisher to your PC with your beige USB 2.0 Cable.

After a few moments, Windows will tell you it has found new hardware and is looking for software to install it.

Select "Install the software automatically" and follow through the wizard to complete the installation.



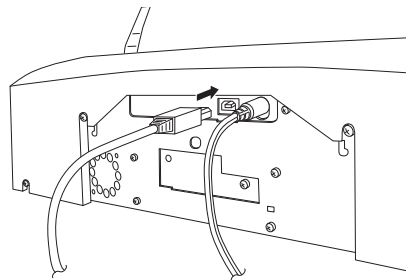
You will be prompted that the software has not passed Windows Logo Testing. You must click **Continue Anyway** to finish the installation.

## 6c Installing the Printer Driver (Mac)

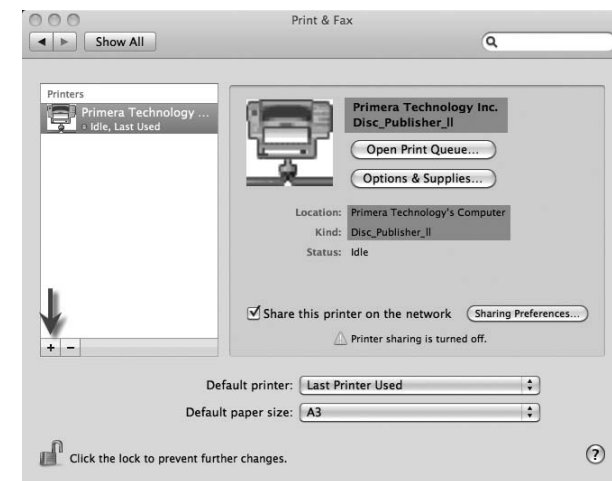
Connect the Publisher to your PC with your beige USB 2.0 Cable.

The printer driver will automatically install.

To verify the driver installed or reinstall go to the Mac System Preferences (Apple - System Preferences). Click the Print and Fax Icon.



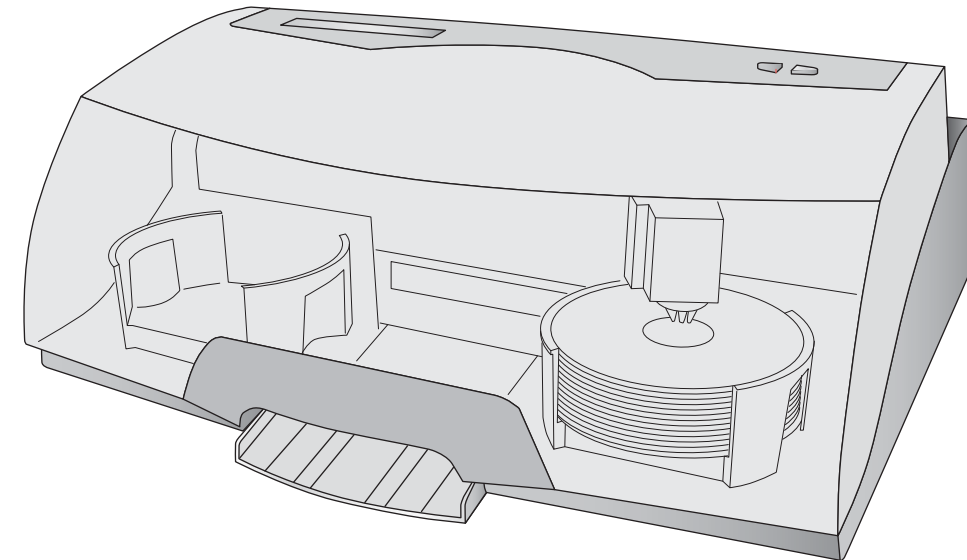
The driver will appear as shown below. To manually add the driver click the + button.



## 7 Publishing a Disc

Congratulations, you are now ready to start Printing and burning discs!

- For Instructions on printing or Publishing a disc see Section 3 of the User's Manual.
- For help with problems printing discs using a PC or Macintosh please visit Primera's online Knowledgebase at [www.primera.com/knowledgebase.html](http://www.primera.com/knowledgebase.html).



Quick Start

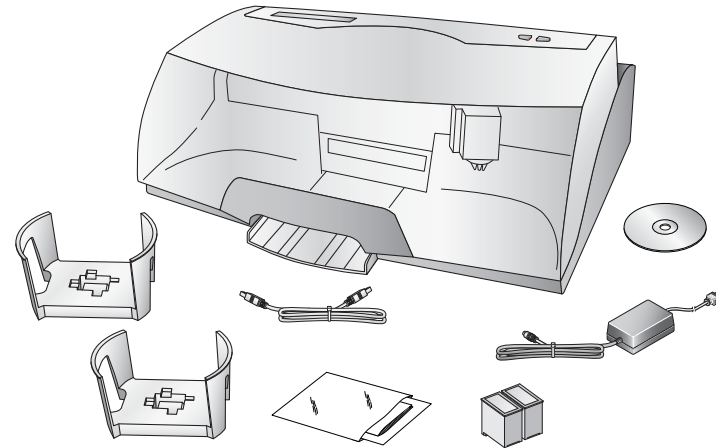
**PRIMERA**

© 2009 All rights reserved.

## 1 Unpack Your Printer

- Optical Disc Printer
- Gray Plastic Input and Output Bins
- Switching Power Supply with Power Cord
- One Three-Color (CMY) Ink Cartridge
- One Monochrome Black Ink Cartridge
- QuickStart Installer Disc
- USB 2 Interface Cable (Beige)
- Warranty Card
- This Operator's Manual, Quick Start Guide and Other Printed Information

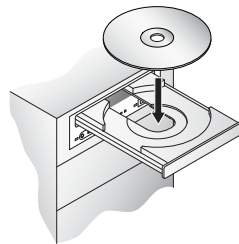
Save the carton and packing materials. They will come in handy later if you ever need to transport the Publisher and/or any of its parts and accessories.



## 2 Installing the Software

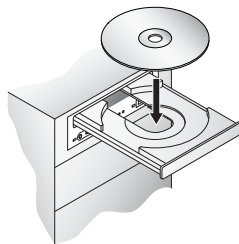
### PC

1. Place the Installer CD in your CDROM Drive. The Installer application will automatically launch in a few moments.
2. You may follow either the steps shown in this Quick Start or the steps shown in the installer to complete the installation.



### Mac

1. Insert the Installation CD-ROM in your system's CD-ROM drive.
2. Double-click the CD-ROM icon.
3. Double-click on the **Disc Publisher Installer.mpkg** file icon. Follow the on-screen instructions.

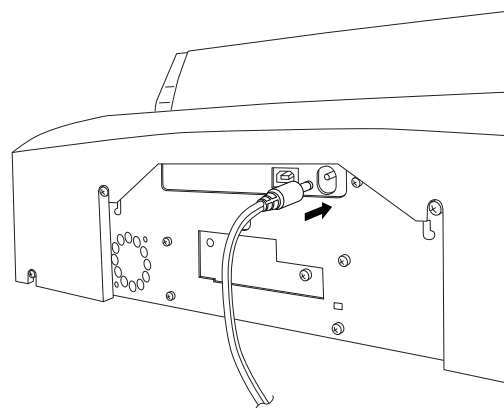


**Note:** If the Installer does not start, open My Computer on your desktop. Double-click the icon of the appropriate CD drive containing the Software Installer disc. Double-click Setup.exe.

## 3 Applying Power

Be sure you have removed the packing tape and cardboard insert prior to applying power.

- Locate the power adapter supplied with your Printer.
- Place one end of the adapter cord into the power port on the rear panel of the Printer.
- Unit will initialize for approximately 30 seconds.



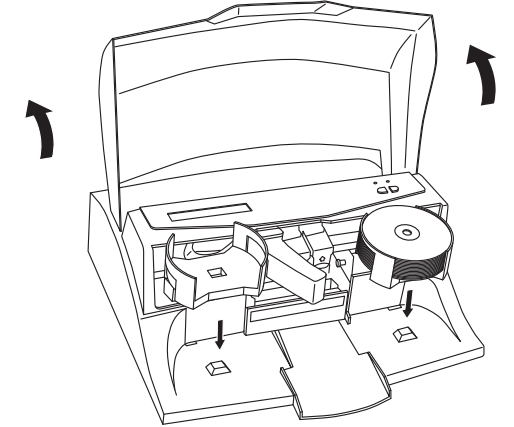
## 4 Loading Media (Discs)

**NOTE:** Your Printer can print directly onto virtually any brand of printable-surface CD/DVD media. However, different brands of discs have different printable coatings. Because of this, you may need to adjust the printer driver settings to accommodate your specific brand of CD/DVD media.


For maximum print quality, use CD/DVD media authorized by Primera.

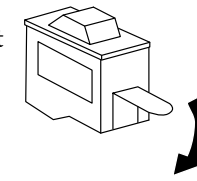
Refer to the following steps when loading discs in to the Printer:

- Open the front cover of the Printer
- The Printer will automatically position the cartridge carrier and Robotic Disc Transporter to the center position allowing for easy access to the bins.
- Load the Input Bin (the bin located on the right-hand side of the Publisher) with 25 blank discs and place the bins on the mounting pegs.



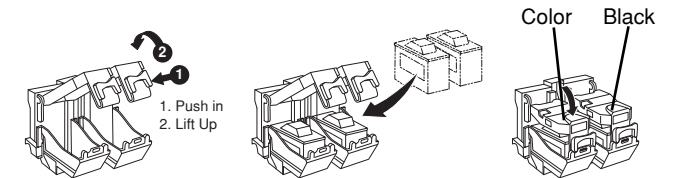
## 5 Installing Ink Cartridges

- Press the Ink Cartridge Button  to move the Ink Cartridge Carrier to the load position and open the ink cartridge covers
- Remove each ink cartridge from its packaging
- Slowly remove the tape covering the cartridge's print head, being careful to avoid damaging the barcode label on the underside of the cartridge.



**DO NOT TOUCH THE COPPER AREA!**

- Insert the ink cartridges into the carrier, copper end first and snap the cartridge cover in place. Insert the color in the left holder, monochrome black in the right cartridge holder.
- Close the Publisher's front cover.



## 6a Installing the Printer Driver (Windows Vista/Windows 7)

Click the "Install Driver" button when prompted to do so by the installation disc.

Files will begin to copy to your hard drive.

You will be prompted that Windows can't verify the publisher of this driver software. Click **Install the driver software anyway**.

Finally, connect the Publisher to your PC with your beige USB 2.0 Cable.

