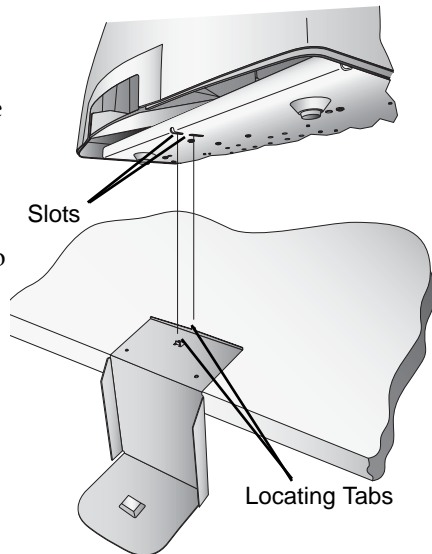
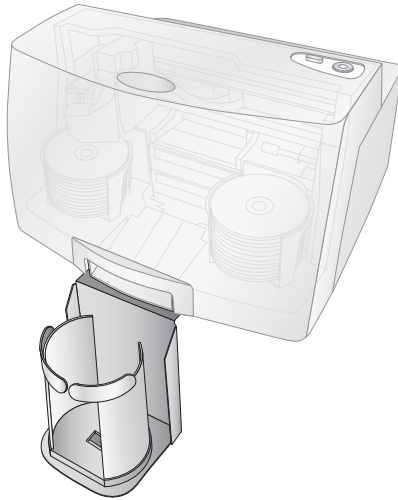


Thank you for purchasing the Kiosk Kit for the Disc Publisher Pro . (Referred to hereafter as the "Publisher"). This will enable your Publisher to use both the right and left bins as input, doubling the capacity of your Publisher. This sheet describes the installation and use of the Kiosk Kit.

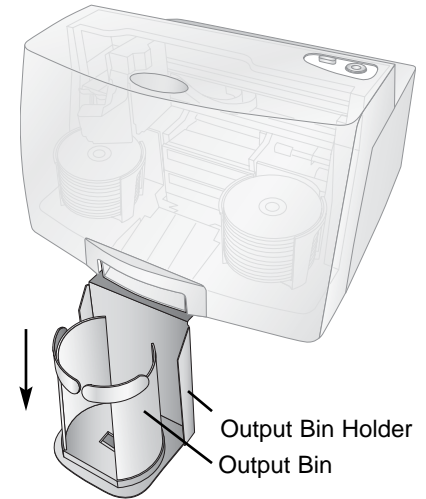
SECTION I: SETUP

1. Check to make sure the following items are enclosed:
 - Output Bin Holder
 - Output Bin
 - Operators Manual and other information

2. Attaching the Output Bin
 - Attach the Output Bin Holder as shown, aligning the **Locating Tabs** on the Output Bin Holder with the **Slots** located on the underside of the Publisher allowing the holder to hang off the edge of the table. Notice the slots do allow for adjusting the position of the output bin. If your discs are not falling into the bin, you will be able to move the bin slightly to align it.



- Place the Output Bin on the Output Bin Holder as shown.

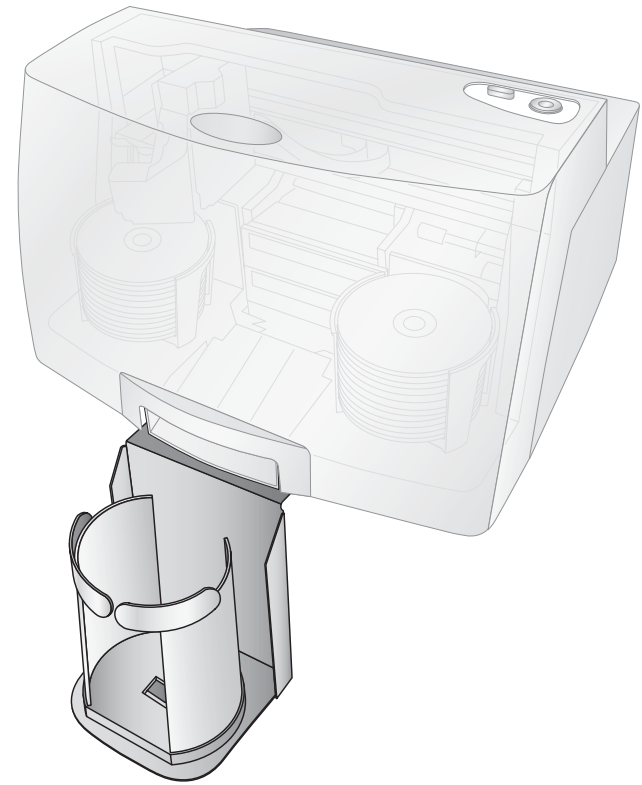


SECTION II: ENABLING KIOSK MODE

- To enable Kiosk mode refer to the following sections in the manual:
- Section 3E for PC
 - Section 4 for the MAC

Kiosk Kit

For use with Disc Publisher Pro



Installation Instructions

PRIMERA

© 2003 All rights reserved